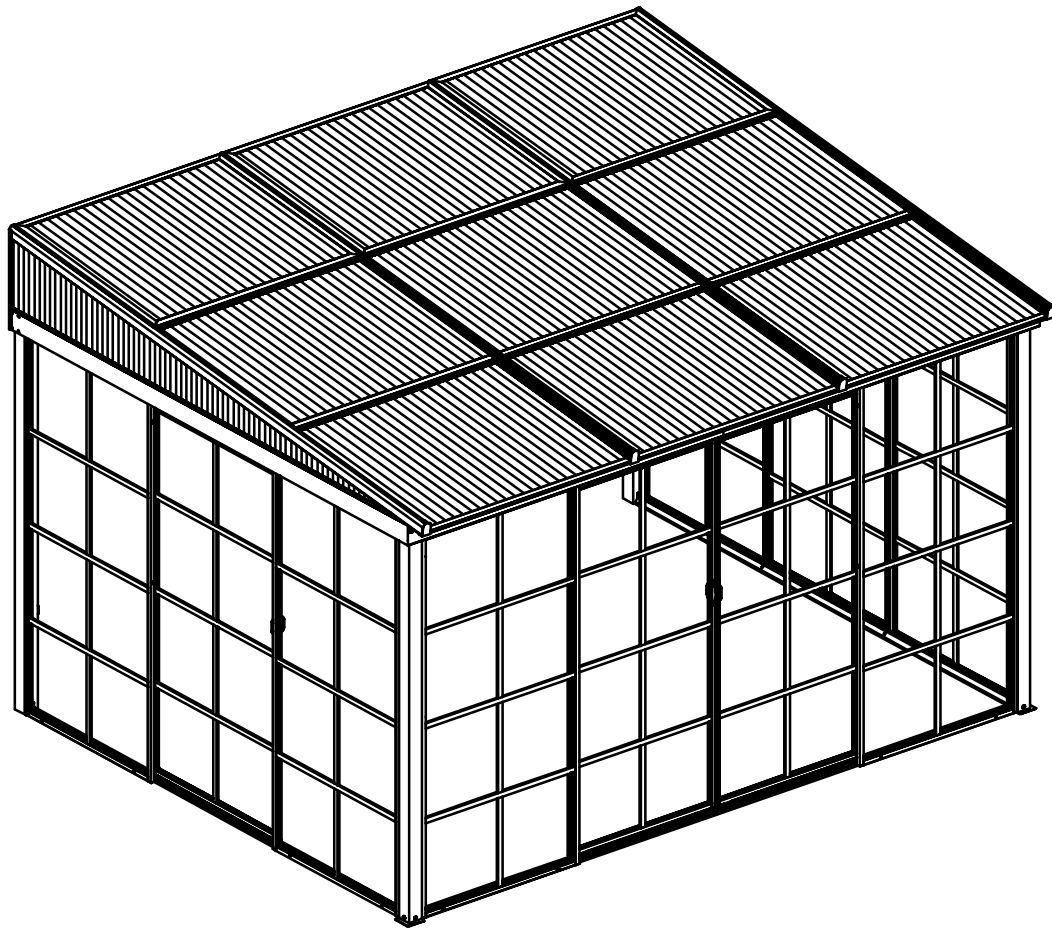
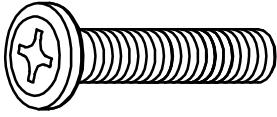


**Knightsbridge Deluxe
3x3.65m Enclosed Wall
Shelter**

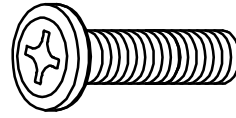


R x28



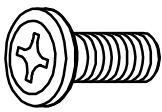
M6*35

R1 x12



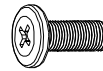
M6*30

V1 x16



M5*12

W x134

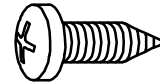


M6*16

V2 x8

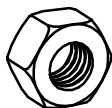


W1 x4



5*16

Z x12

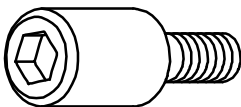


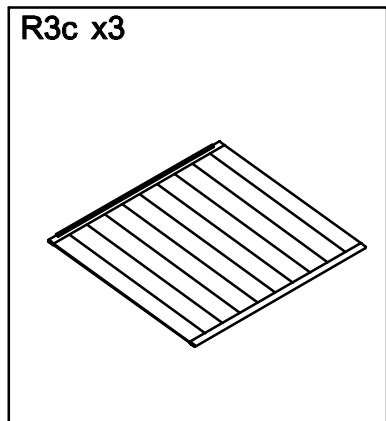
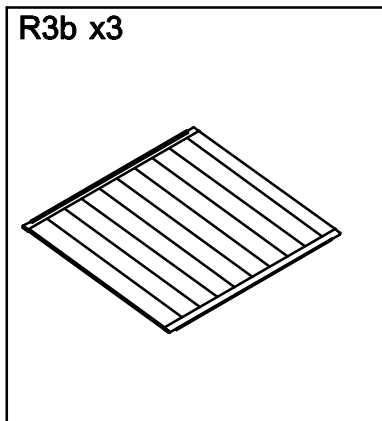
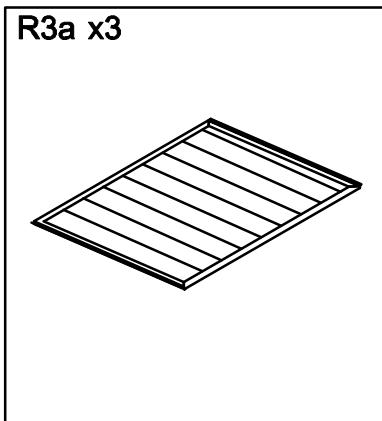
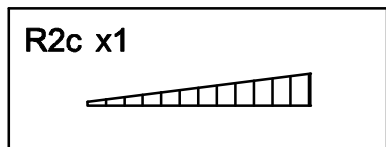
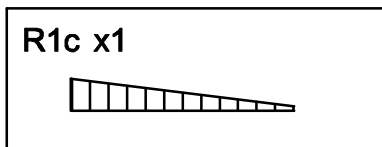
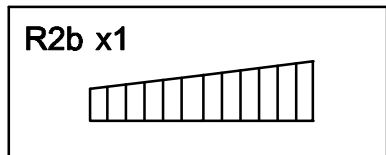
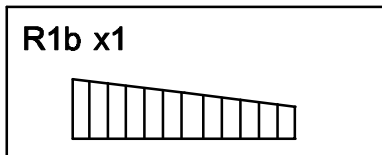
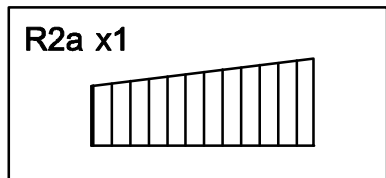
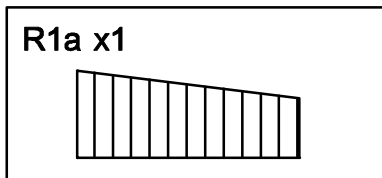
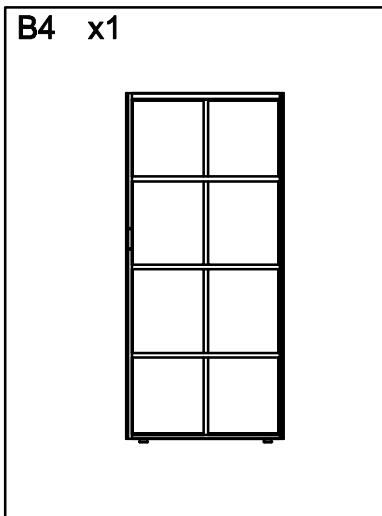
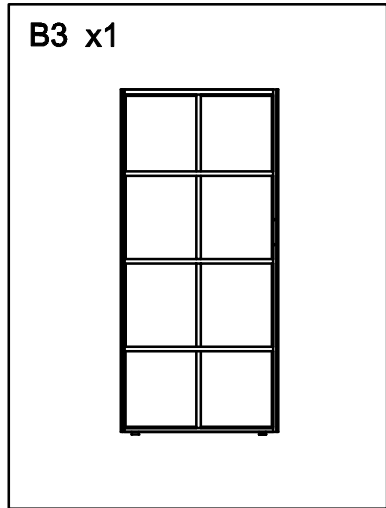
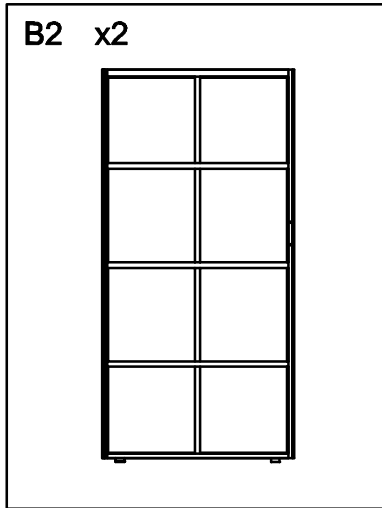
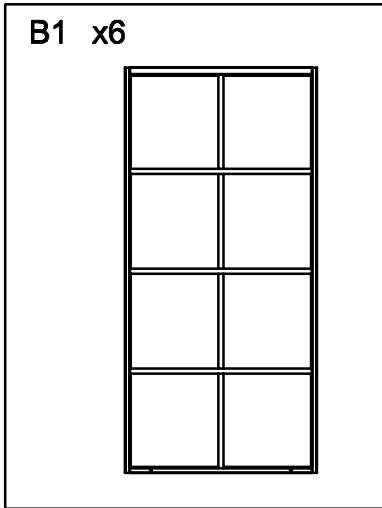
M6

Z2 x1

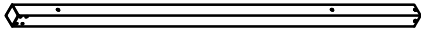


X x32

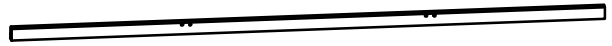




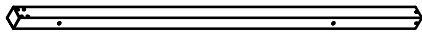
A x1



E x2



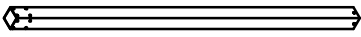
A1 x1



E1 x2



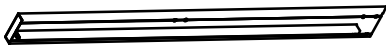
B x2



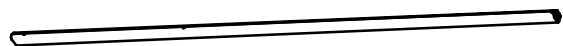
E2 x2



C x1



F x1



C1 x1



F1 x1



D x1



G x2



D1 x1



G1 x1



G2 x1



G3 x2



T1 x2



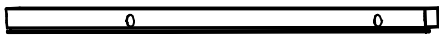
H x3



T2 x2



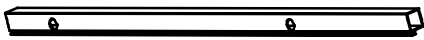
H1 x1



T3 x1



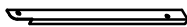
H2 x1



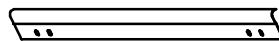
T4 x1



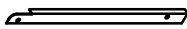
I x1



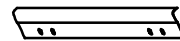
U1 x2



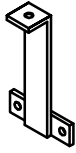
I1 x1



U2 x2



J x2



O x2



K x6



P1 x8



K1 x6



P2 x8



L x4



P3 x3



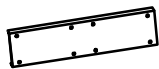
M x4

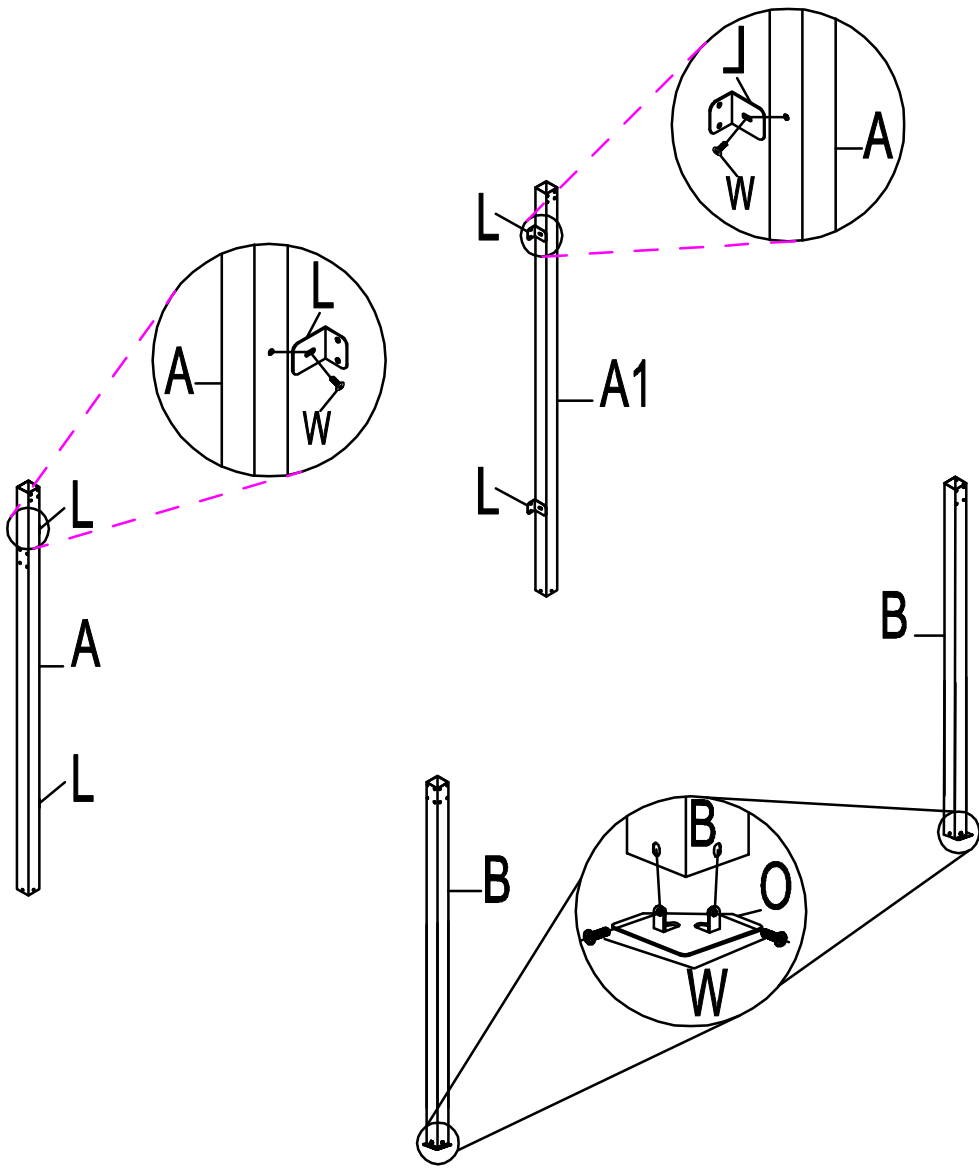



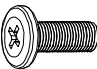
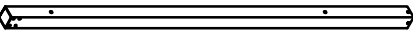

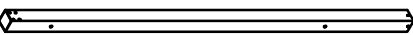
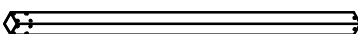
Q x4

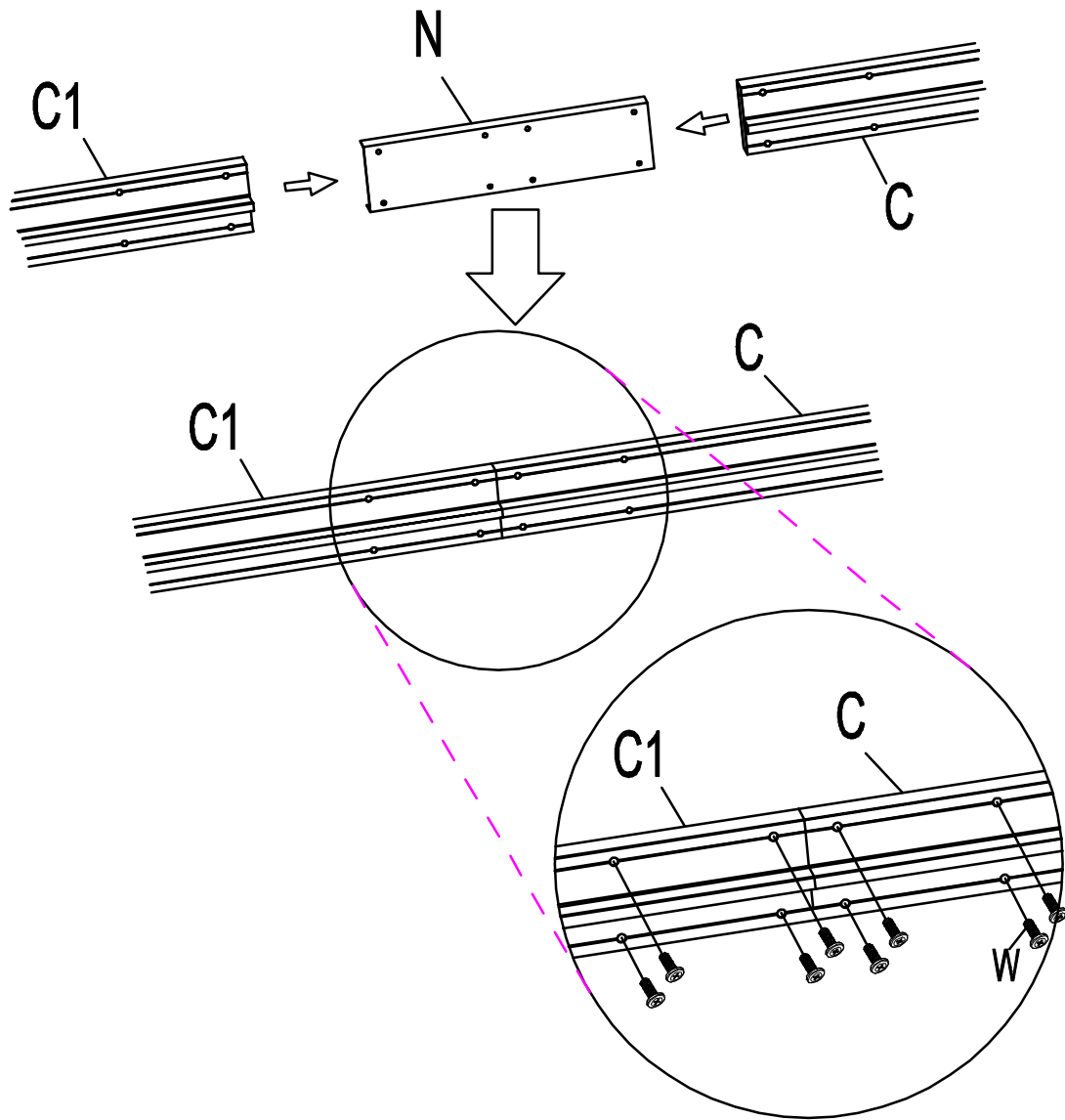


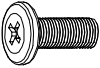

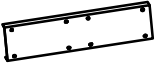

N x1

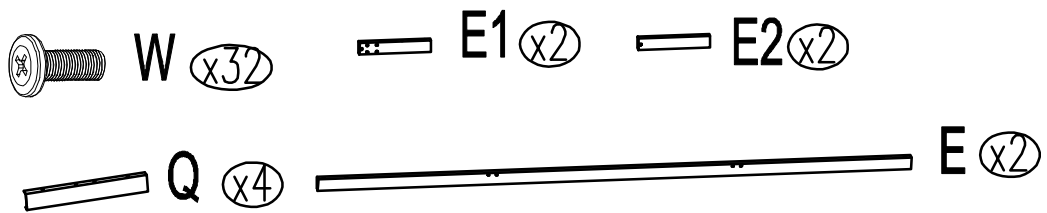
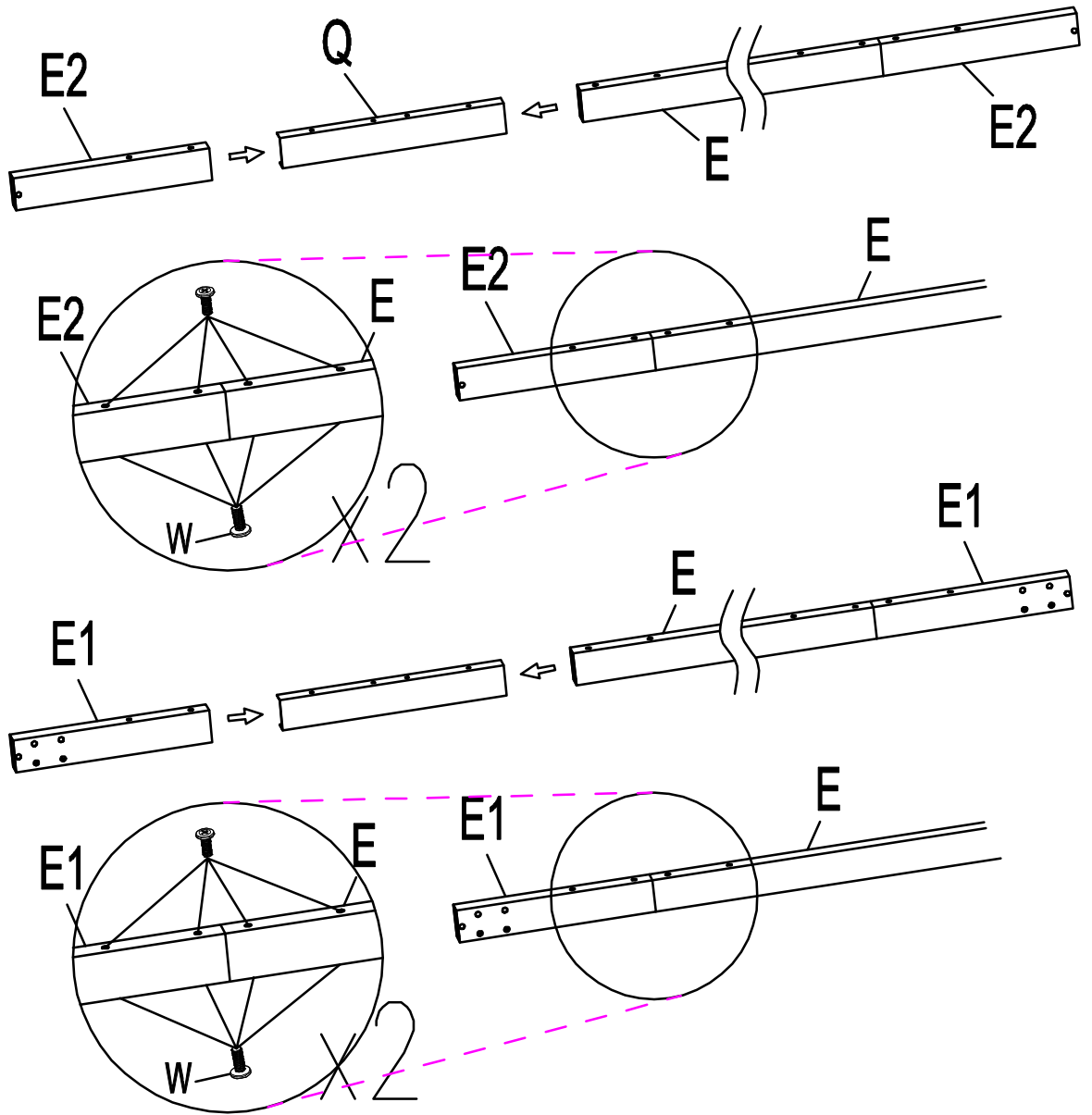


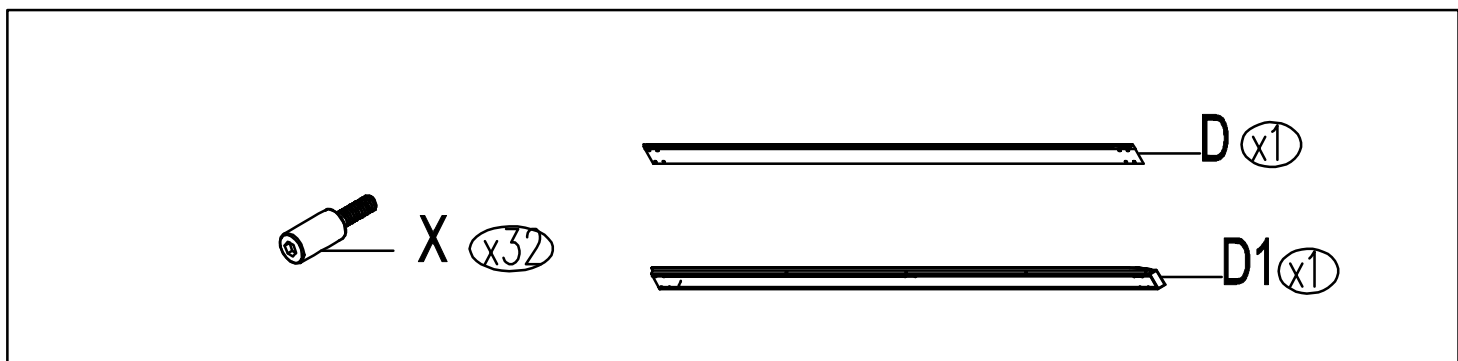
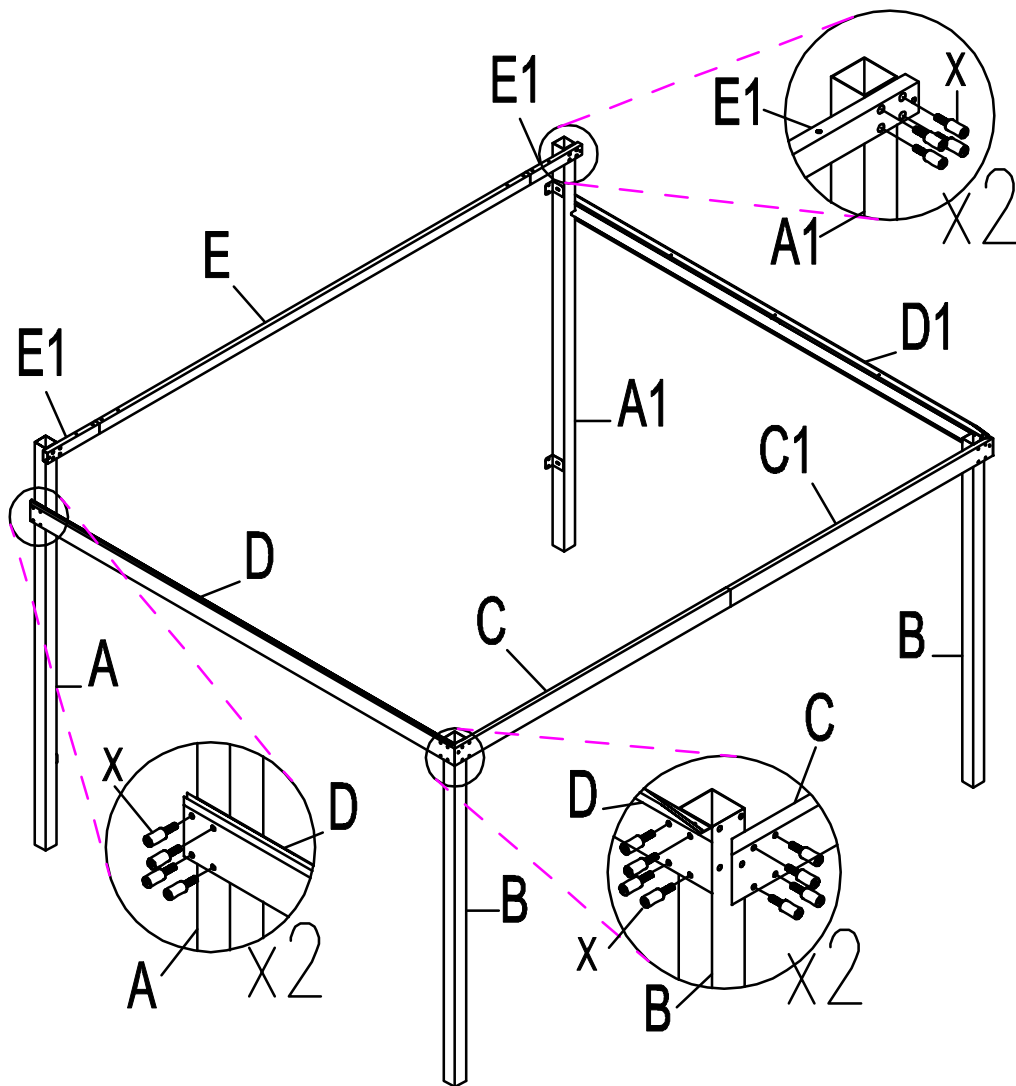


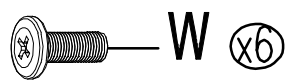
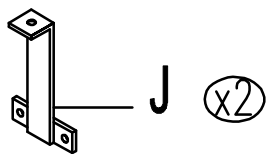
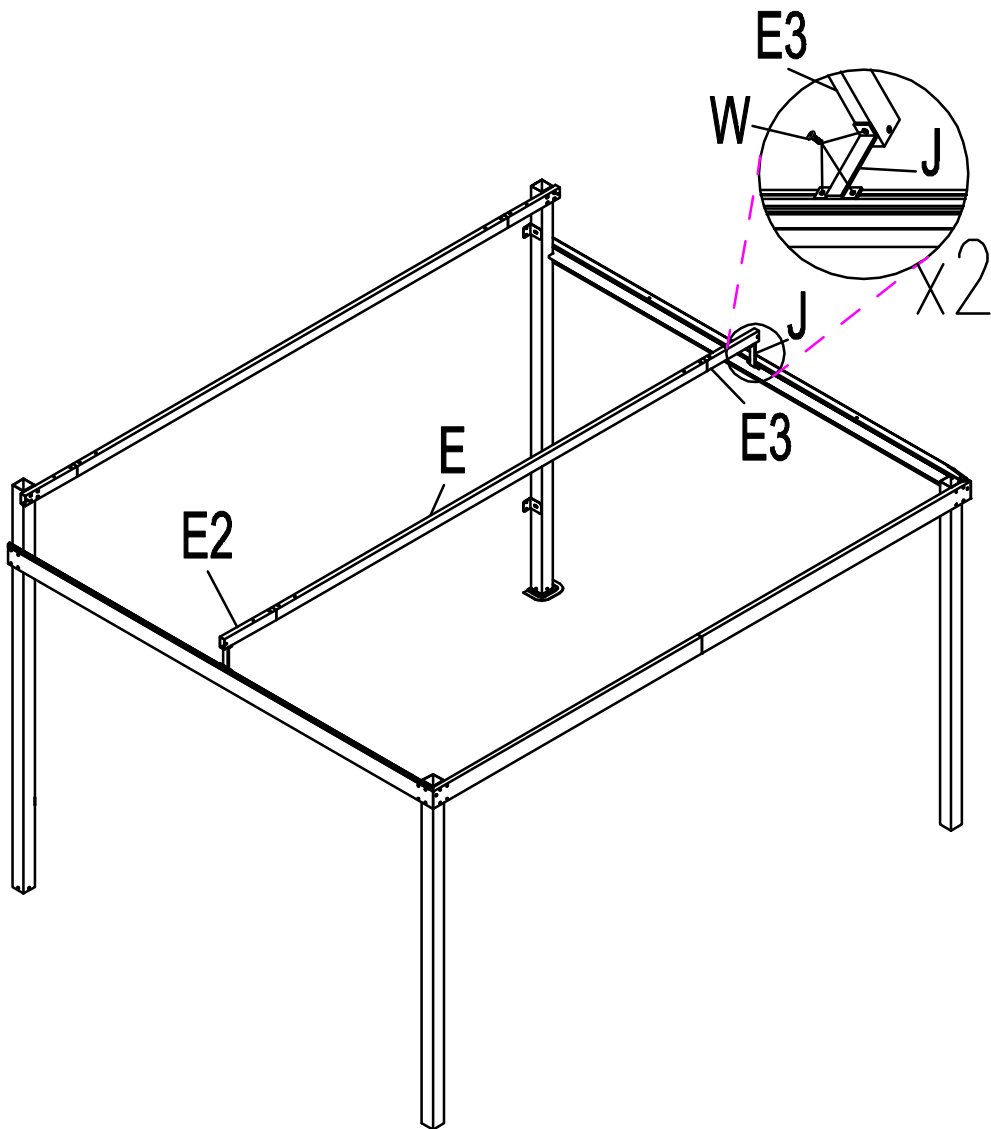
 L (x4)	 W (x8)	 A (x1)
 O (x2)		 A1 (x1)
		 B (x2)

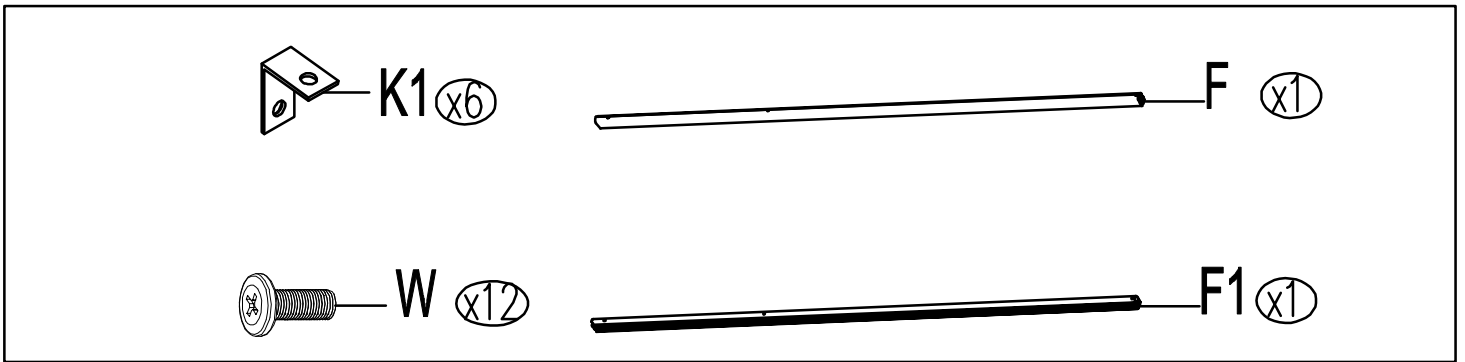
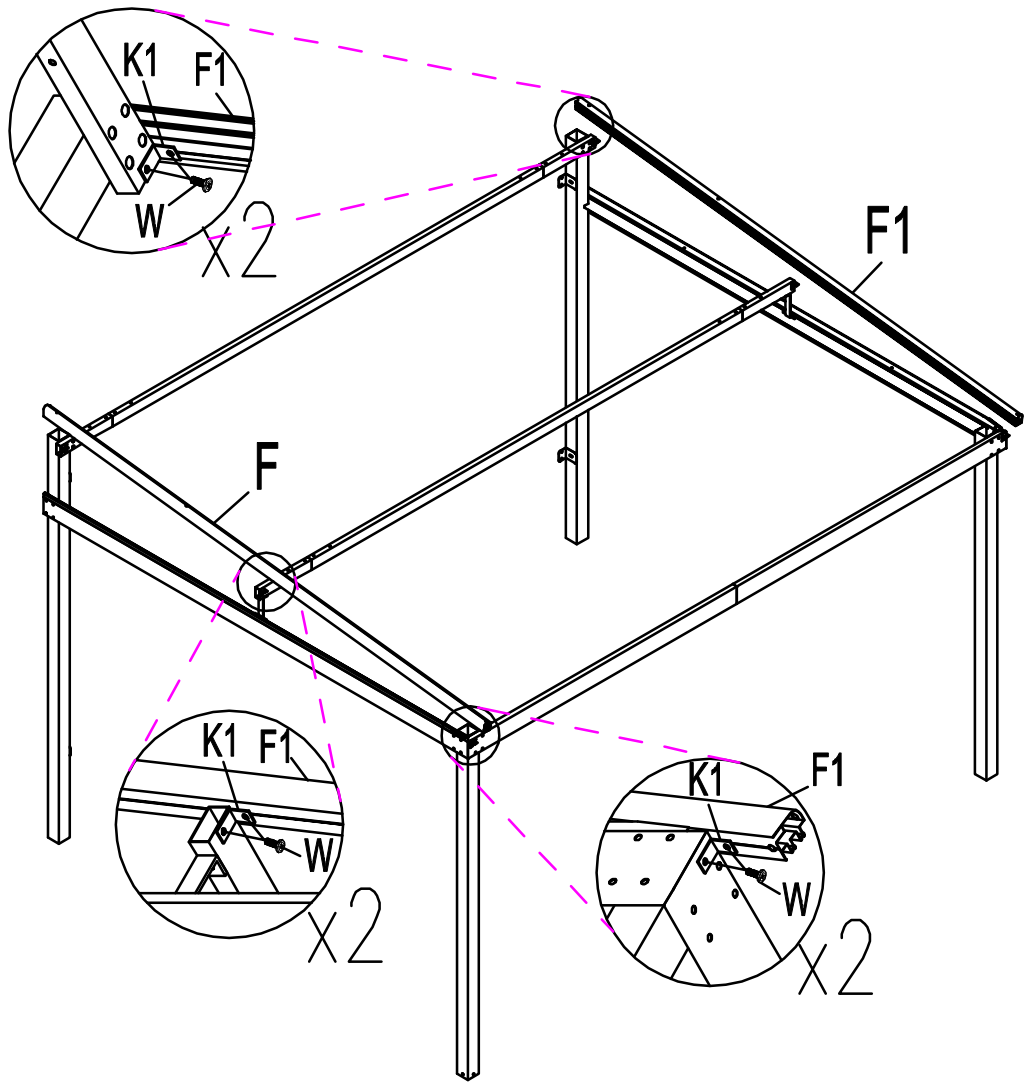


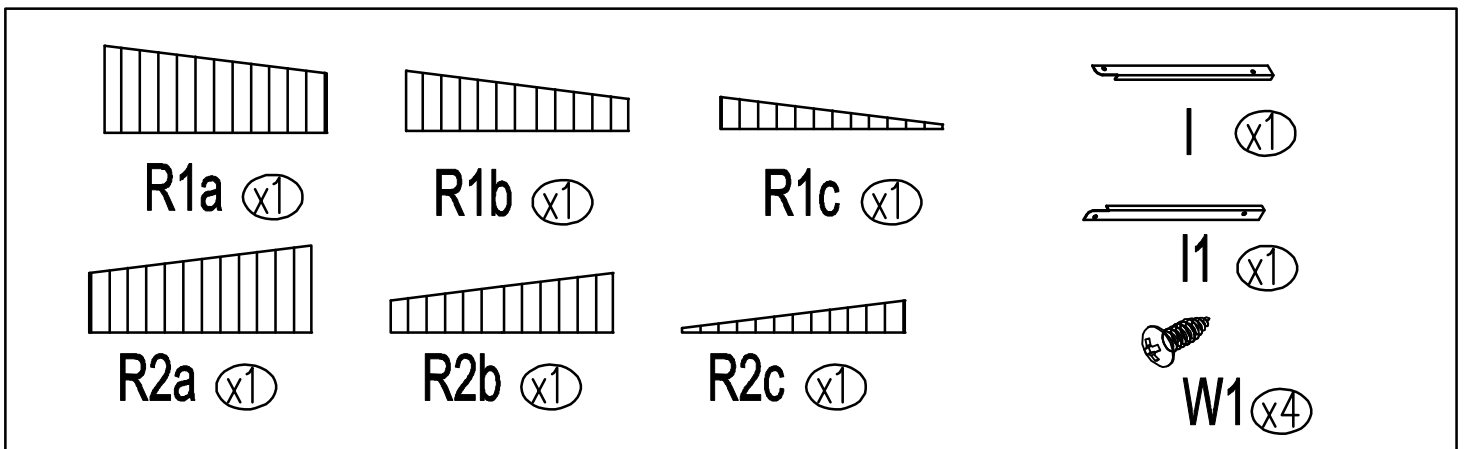
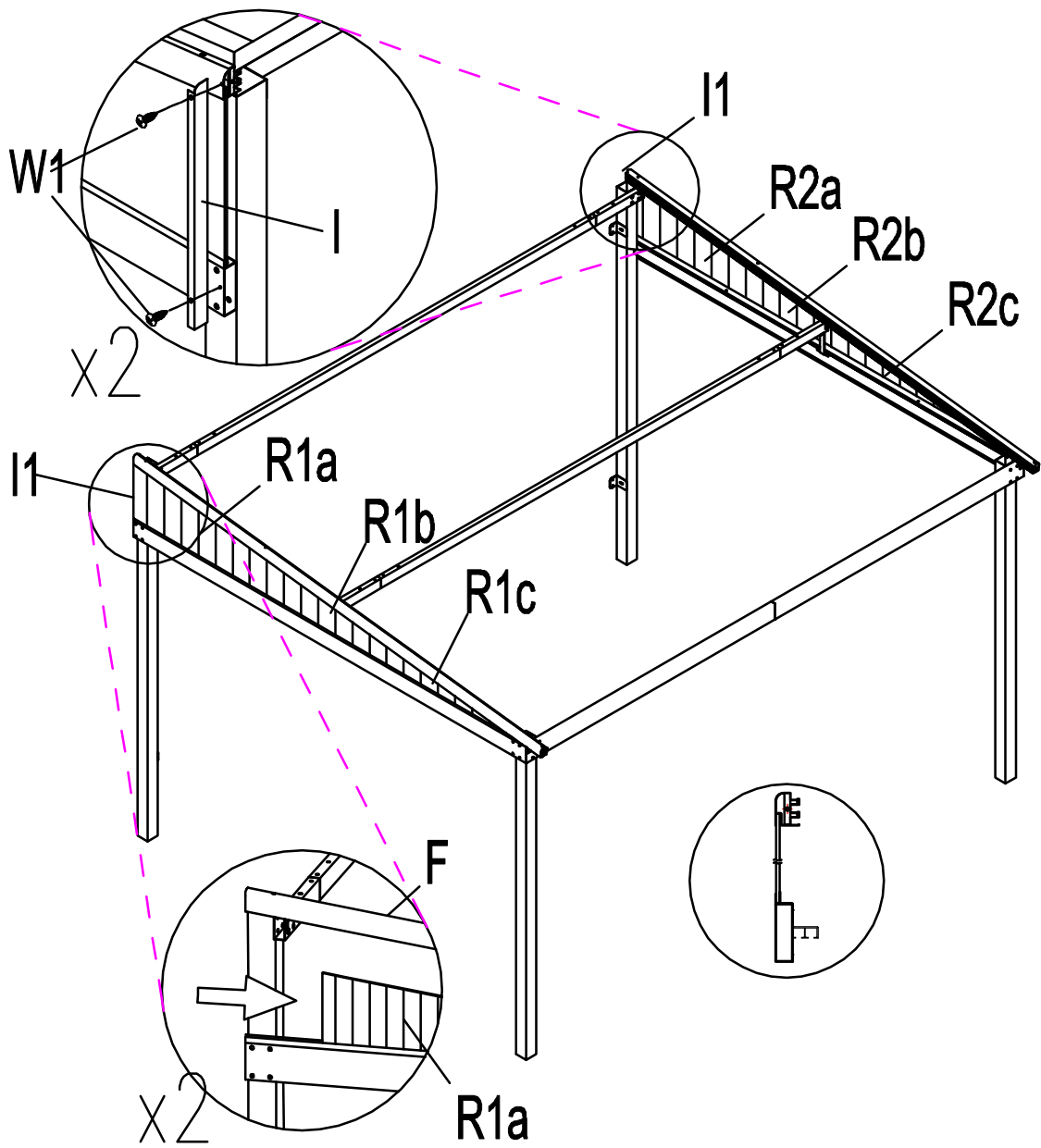
 W (x8)	 C (x1)
 N (x1)	 C1 (x1)

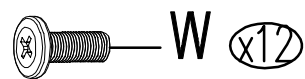
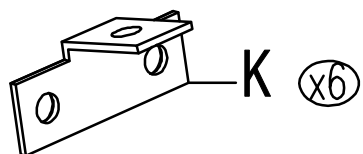
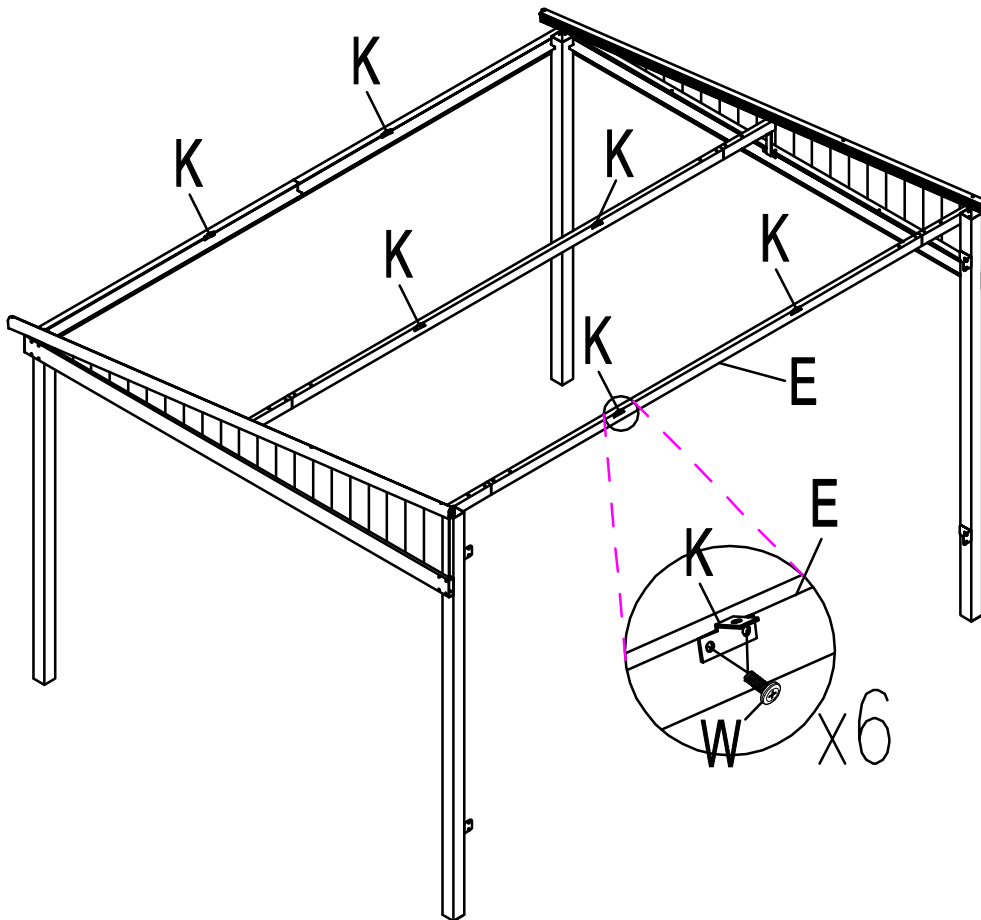


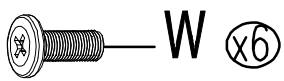
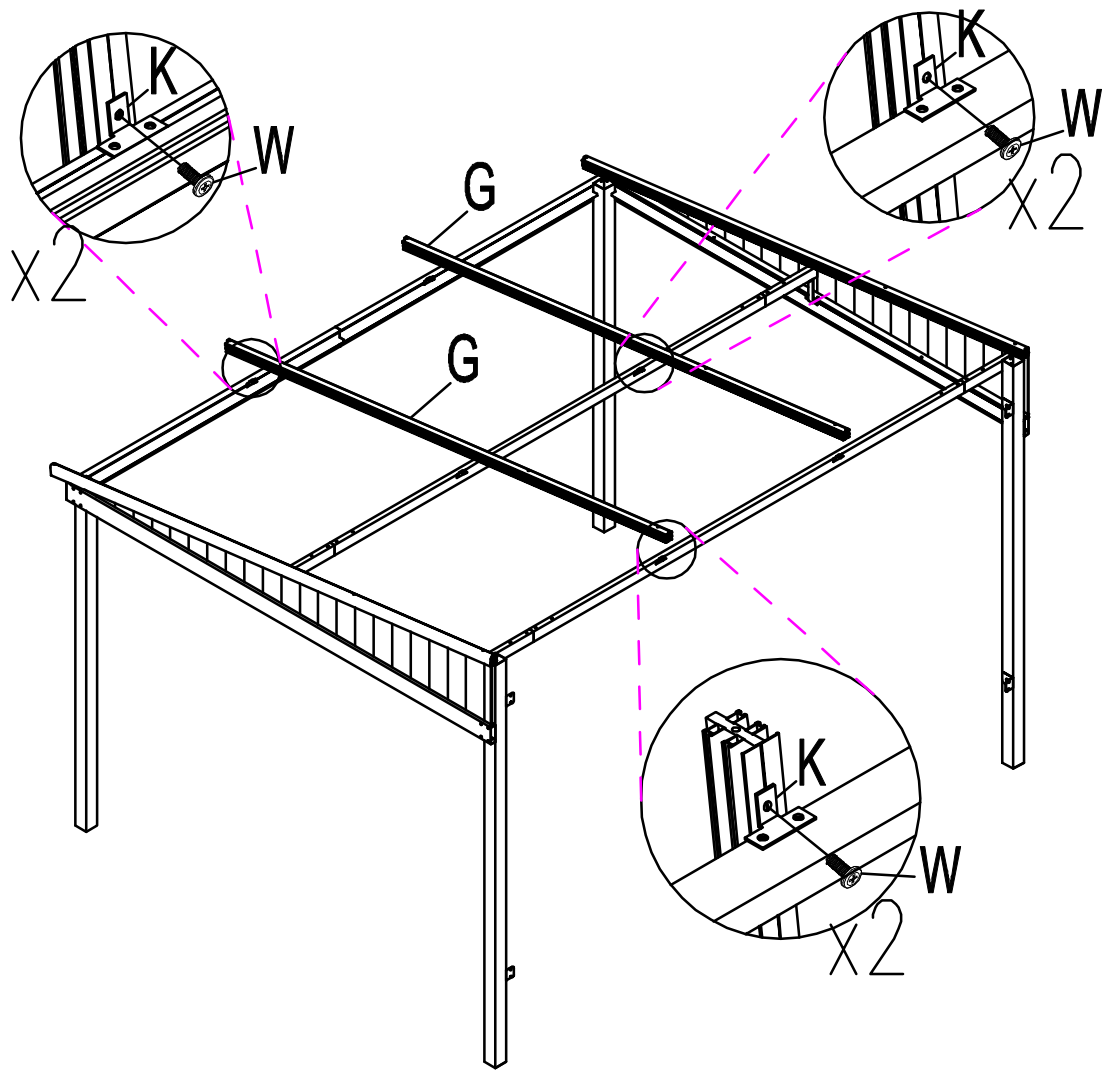


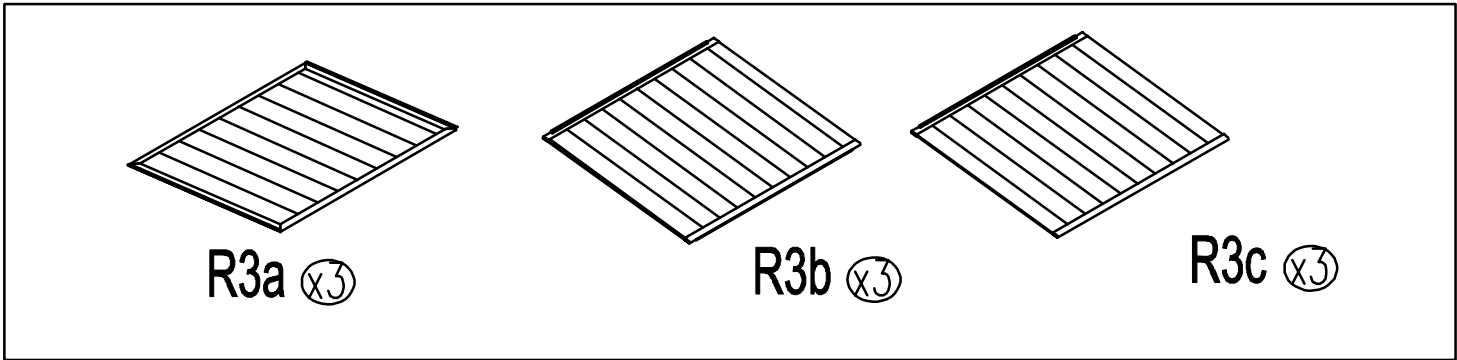
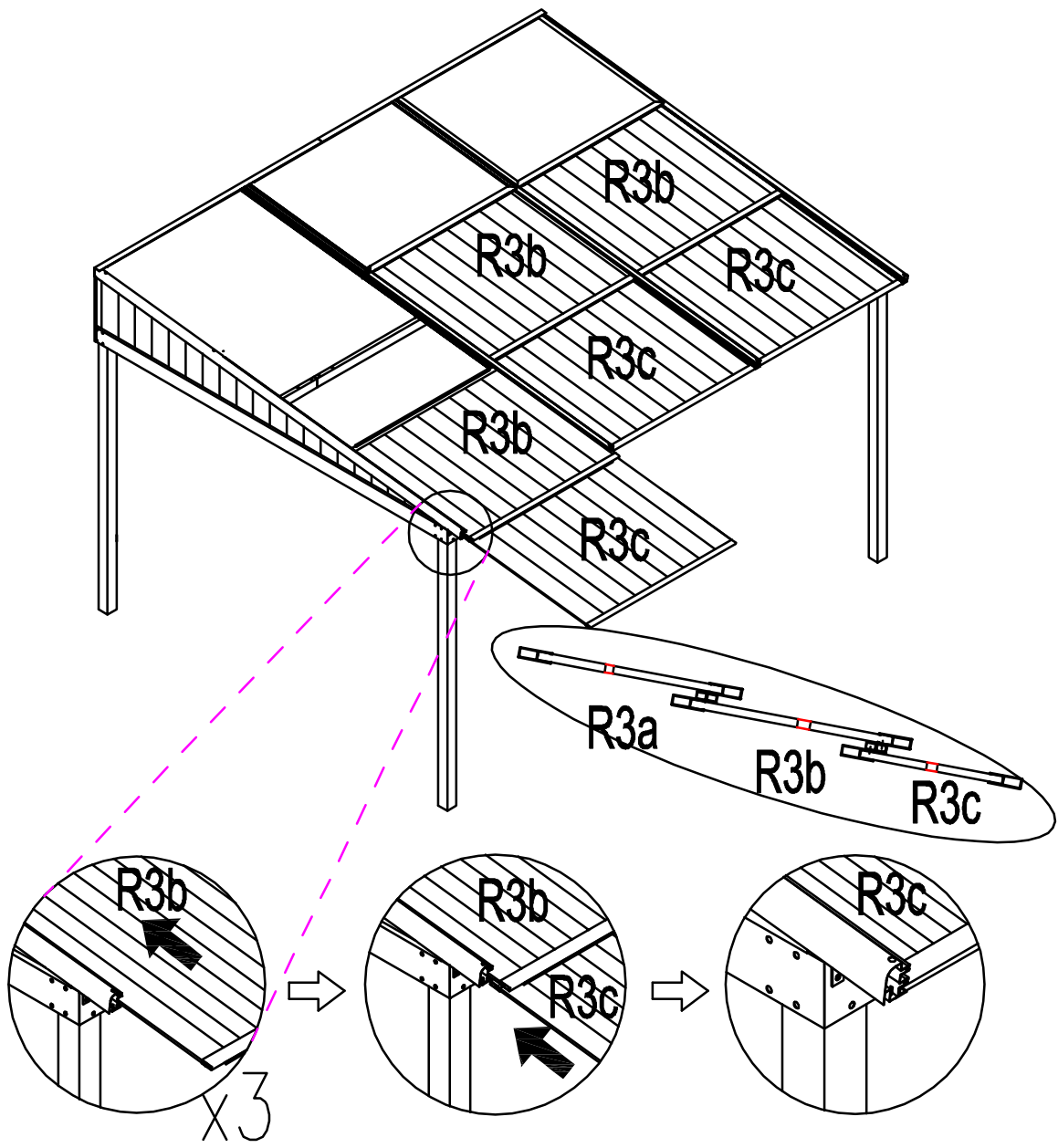


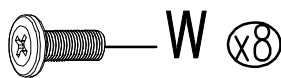
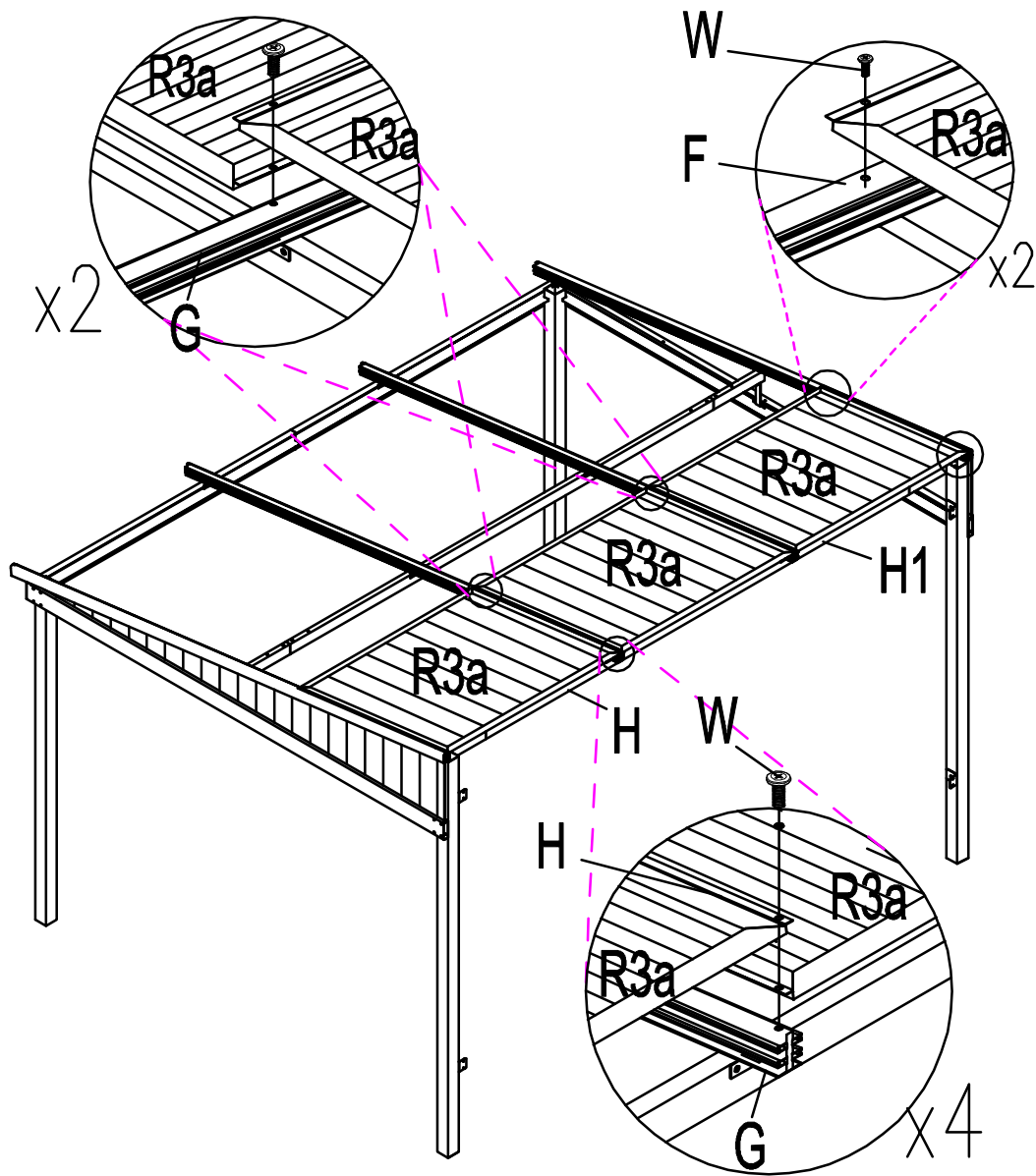


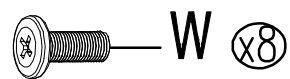
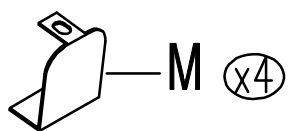
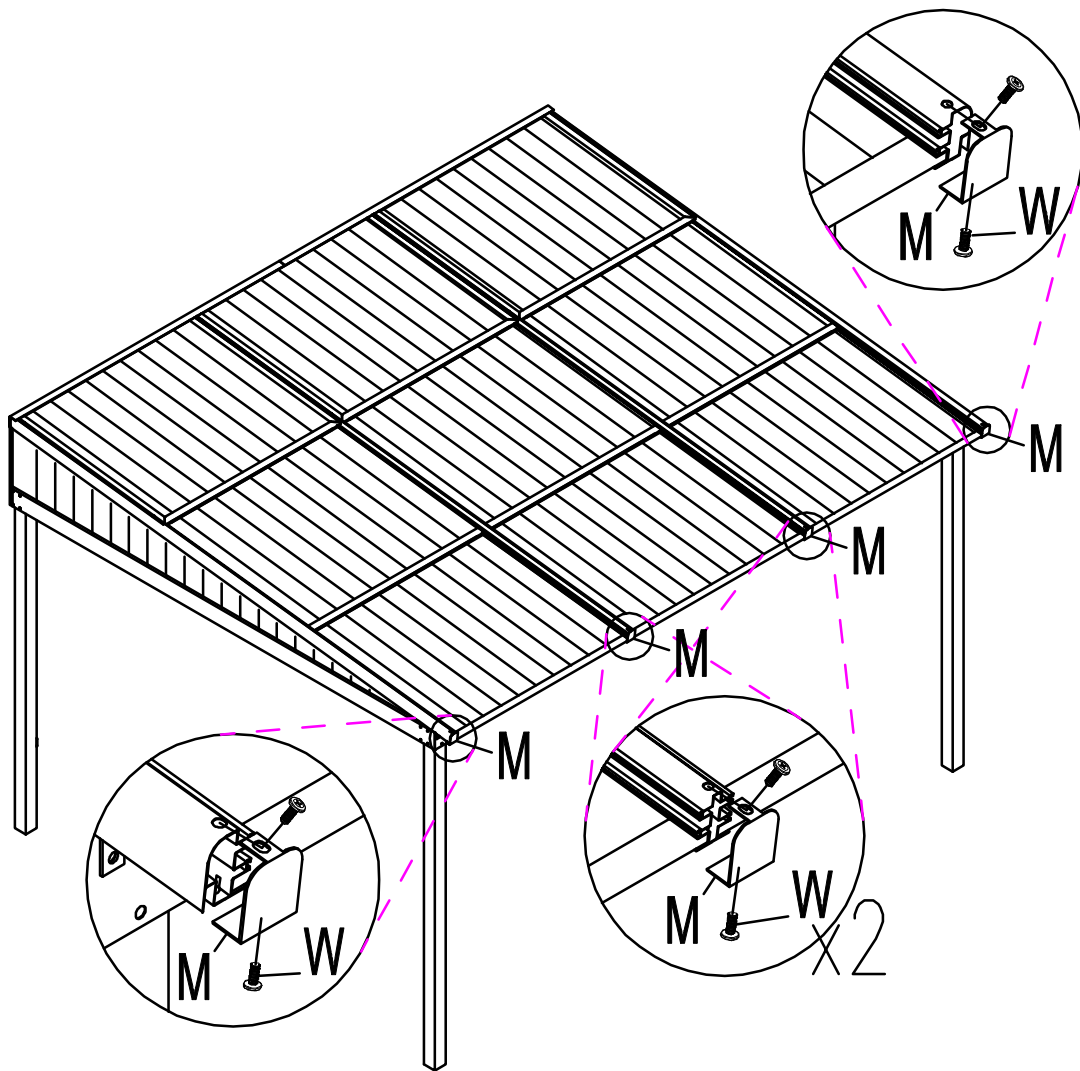


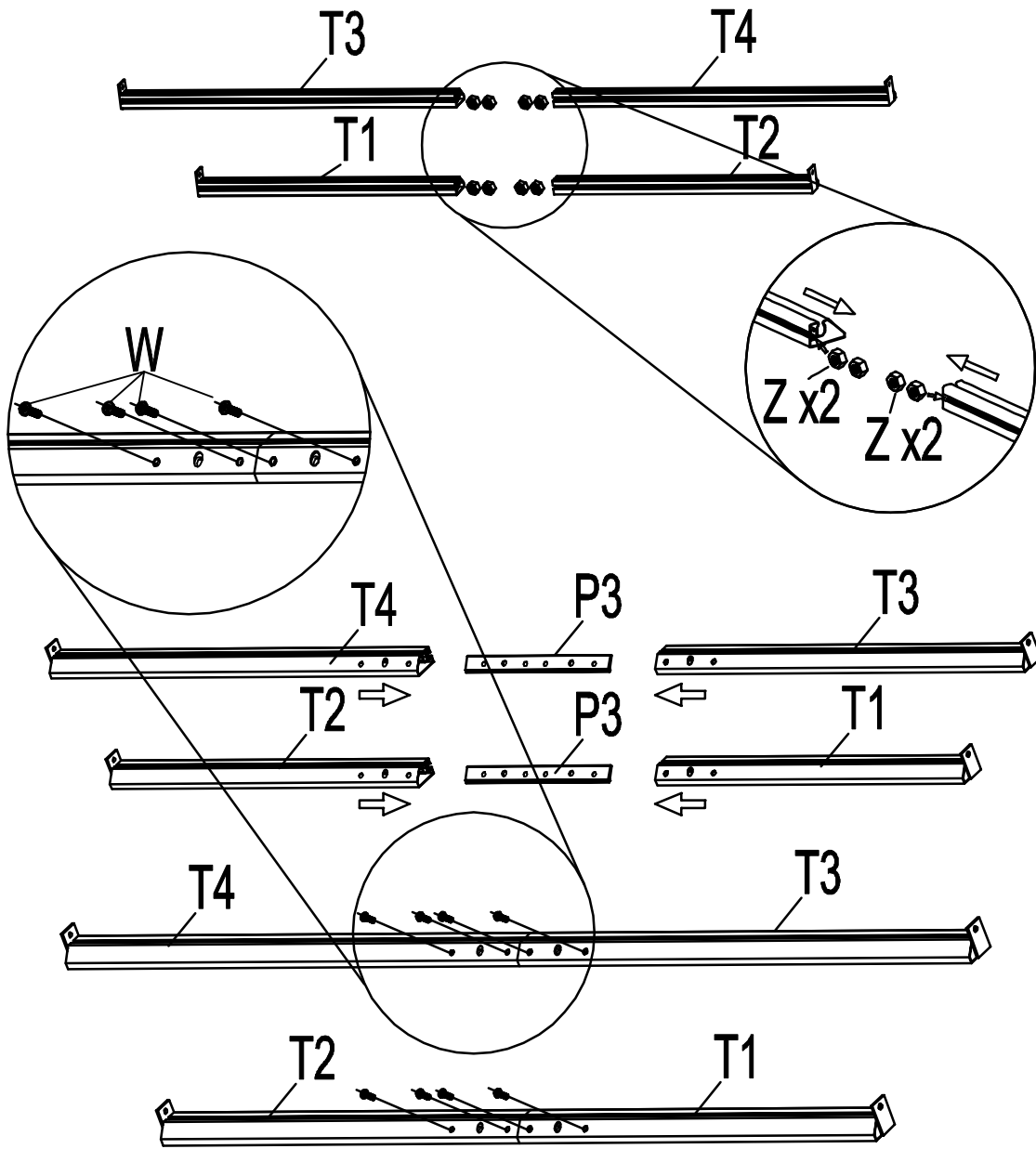




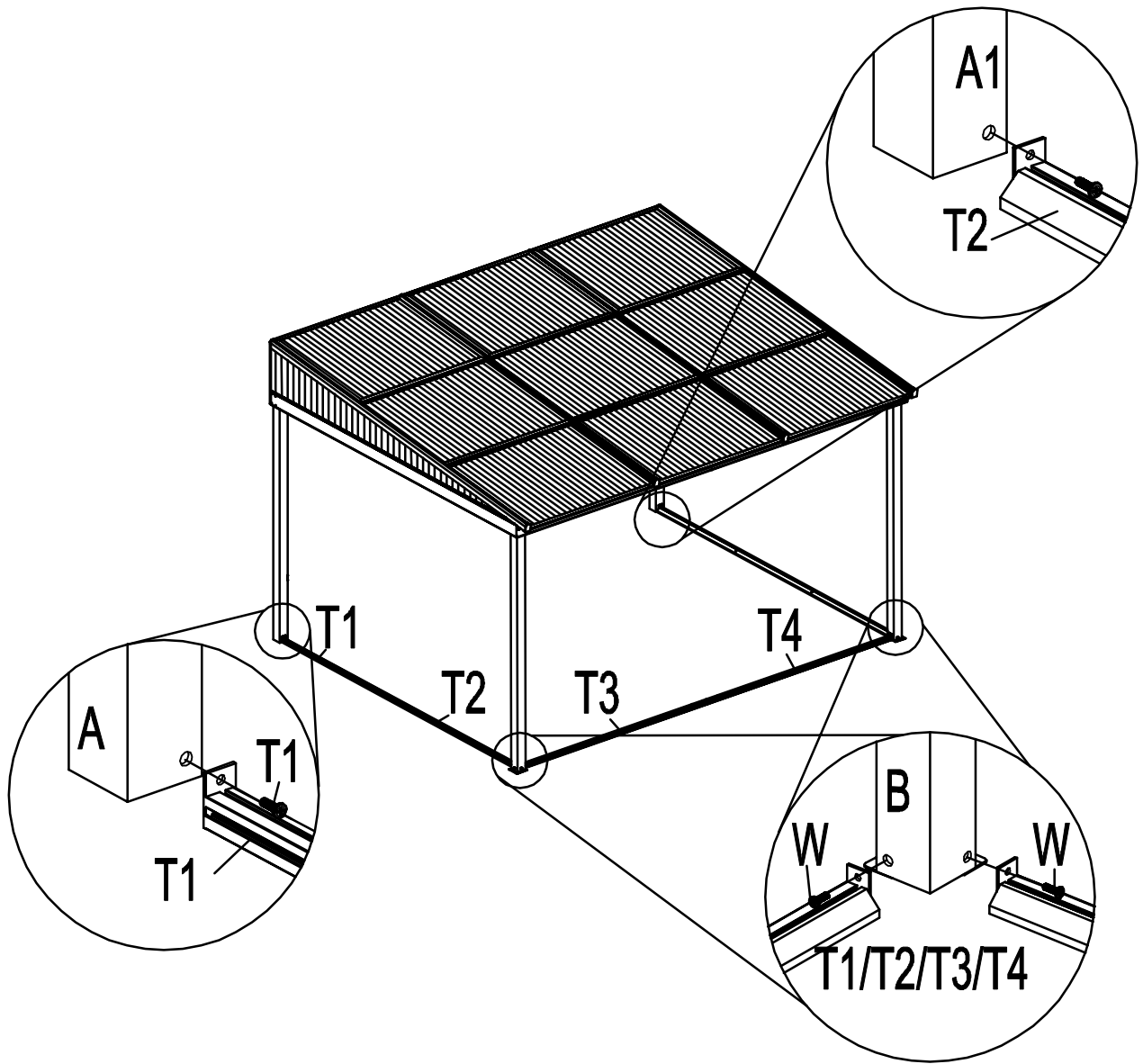


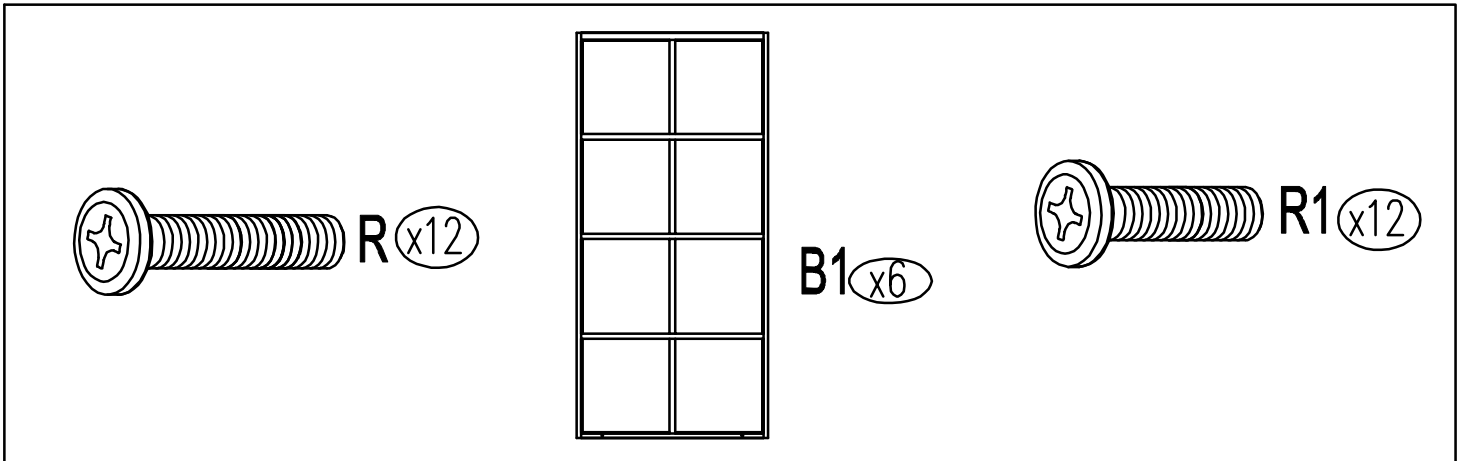
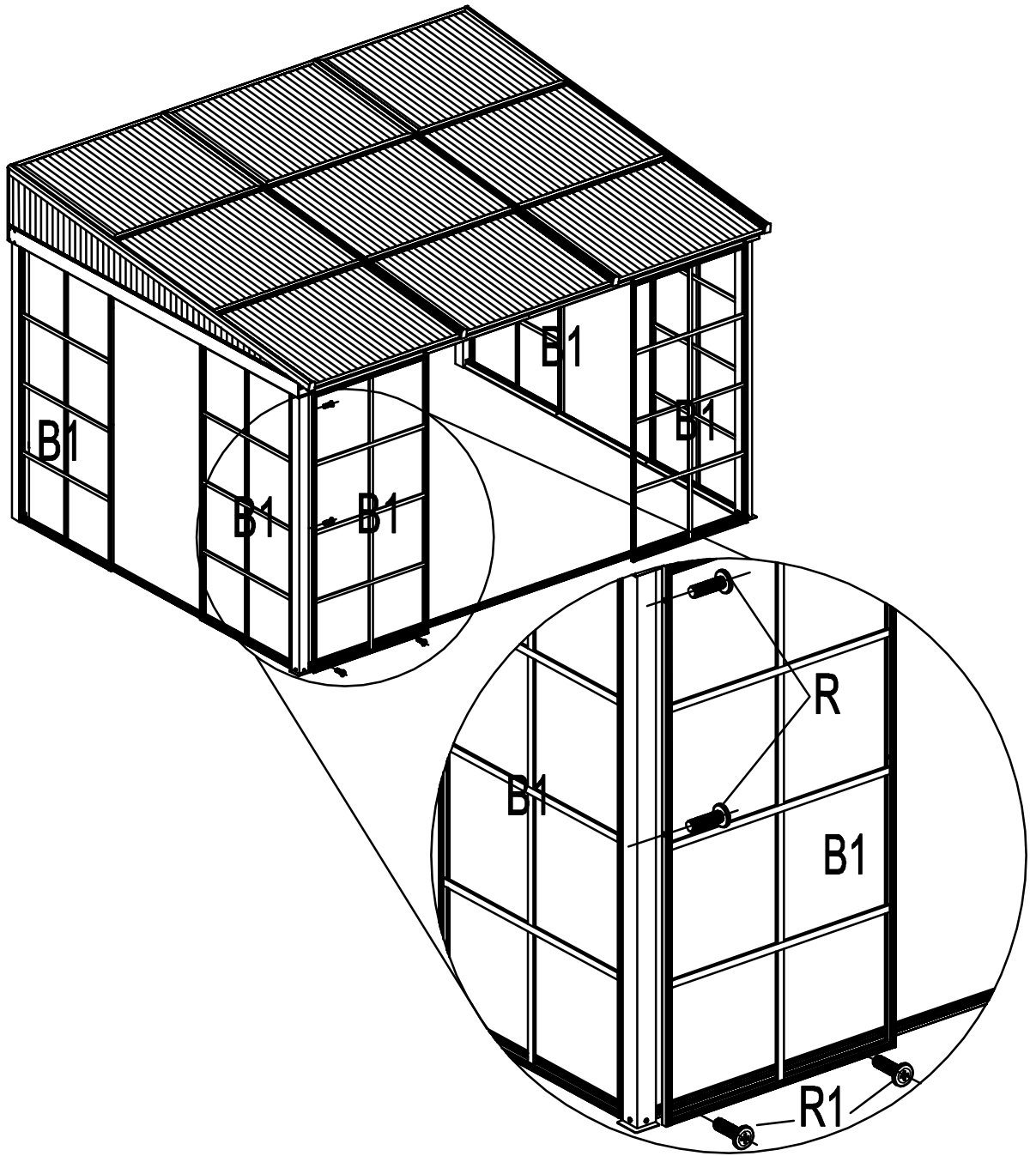


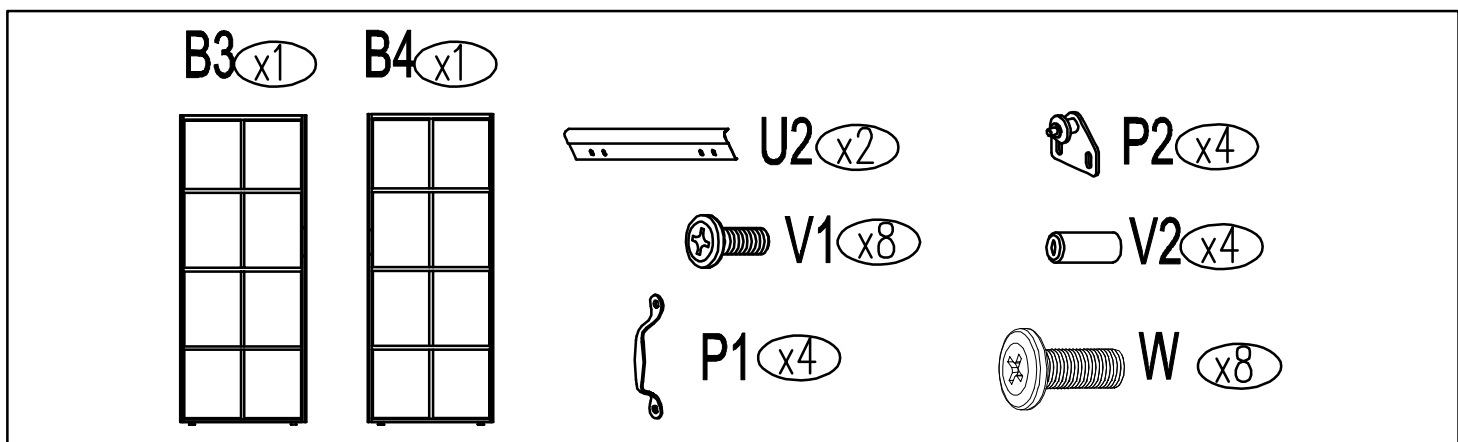
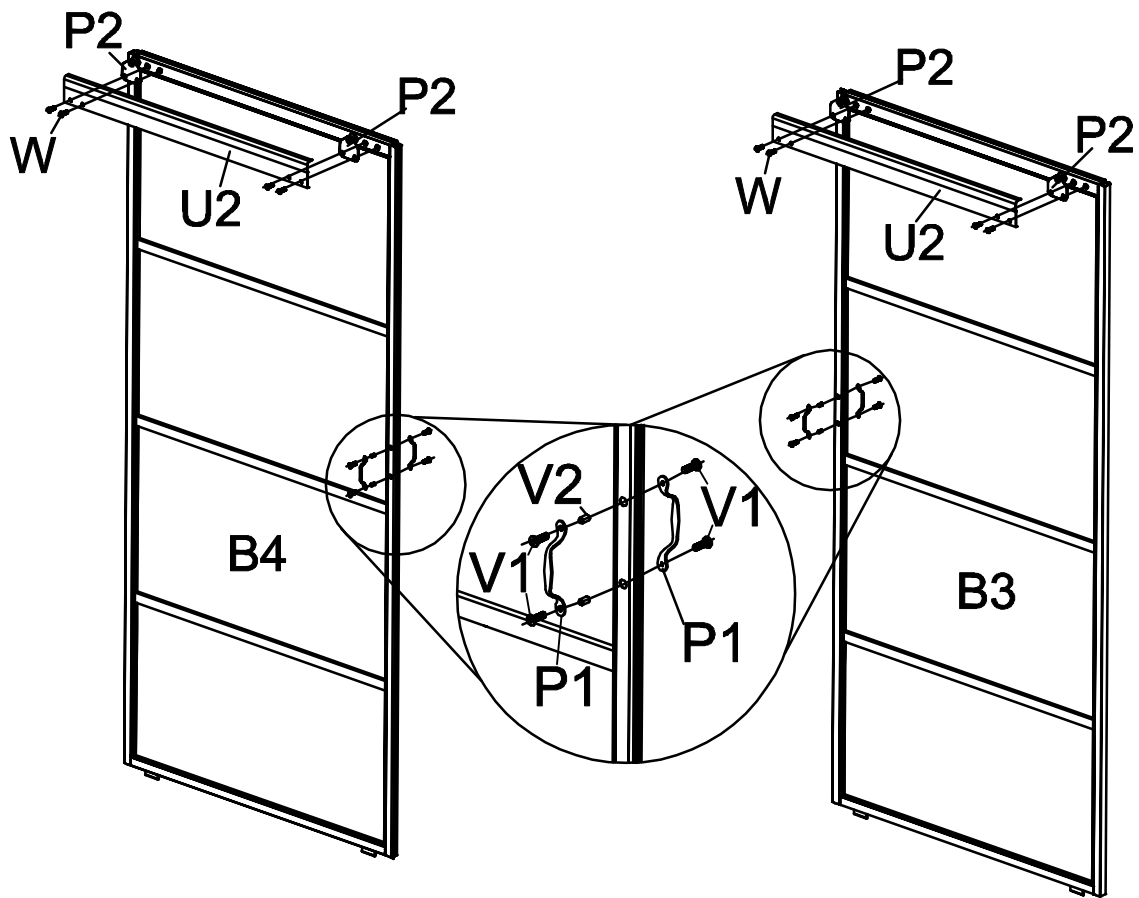


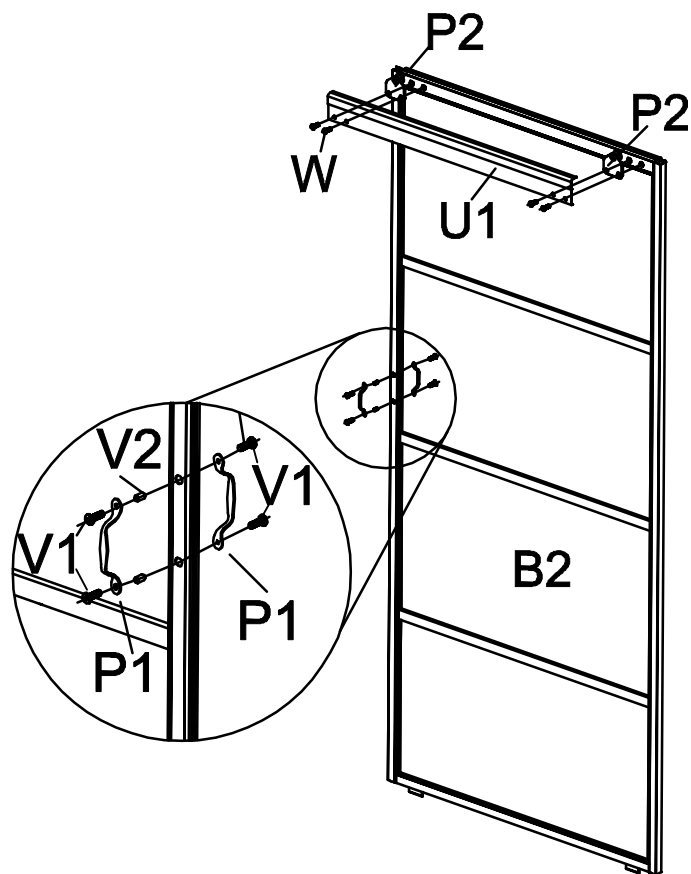


	T1 (x2)		T2 (x2)		W (x12)
	T3 (x1)		T4 (x1)		
	Z (x12)		P3 (x3)		

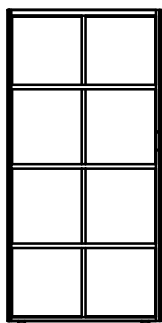








B2 (x2)



U1 (x2)



V1 (x8)



P1 (x4)



P2 (x4)



V2 (x4)



W (x8)

